

BLOEMHOF

by
OLIVER

Model 4-24

Simplex Sheeter/Moulder

Dual purpose in a single compact machine.

Moulding

- Pan Breads
- Whole Grain Breads
- Subs, hoagies & hot dog rolls
- Challah
- Pretzels
- Tapered rolls & bolillos*

Sheeting

- Puff pastry & Danish dough
- Yeast raised dough

Key Features

- Process up to 3,600 pieces/hour
- Product capacity 1 oz. - 4 lbs.
- In-feed guard with automatic shut off
- Quick change index system - easy roller adjustment
- Fully adjustable side guides
- Variable speed
- 24" wide FDA approved polyester belt
- 6" & 12" curling chain standard
- 6", 9", & 12" Flat Moulding Plates standard

*with optional accessories



The information contained herein is correct to the best of our knowledge. The recommendations or suggestions are made without guarantee or representation as to results.

Above specifications subject to change without notice.



Manufactured in the U.S.A.

BLOEMHOF



Model 4-24

Simplex Sheeter/Moulder

Specifications

Motor

Standard:

3/4 HP, heavy duty motor, 1 Ph/115 or 220 V/ 60Hz

Special Electrics available; see price list

Product Capacity

1 oz. to 4 lbs

Additional Flat Moulding Plate 28" Long,

8", 10", 14", 16", 18", 20", 21.5"

Bolillo Moulding Plate 23" Long,

5", 6", 7.5"

Shipping Weight:

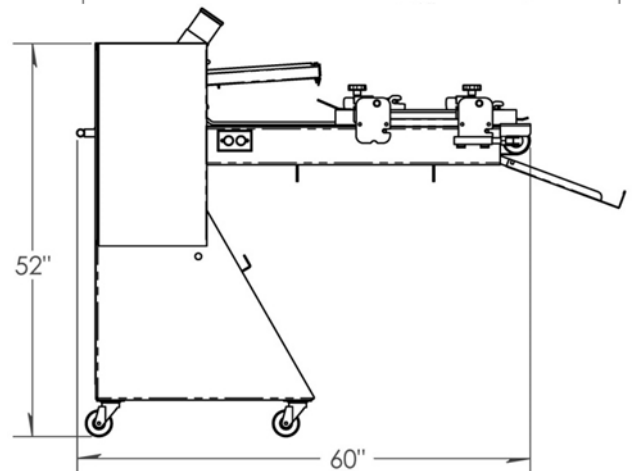
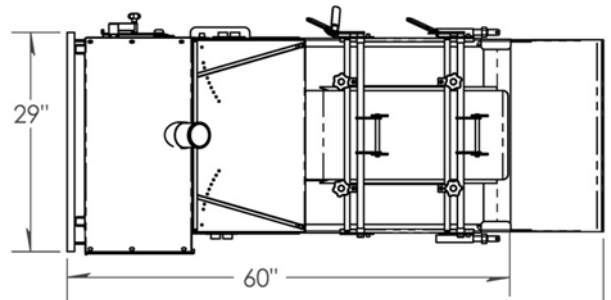
765 lbs. (347kg)

Net Weight:

515 lbs. (234kg)

Height: 54" **Width:** 32" including handles

Length: 60" - up to 72" when catch tray is extended



The information contained herein is correct to the best of our knowledge. The recommendations or suggestions are made without guarantee or representation as to results.

Above specifications subject to change without notice.



Manufactured in the U.S.A.