

Ordering Casters

Over time casters and wheels are going to wear out, when this happens you will need to be able to order new casters for your equipment, this guide will help you order the right caster the first time.

What Information Do I Need?

In order for us to correctly send you the proper casters, we need some information about the casters that are currently on your equipment. Please refer to the figure below to assist you with the needed information. (Write Measurements on dotted line.)

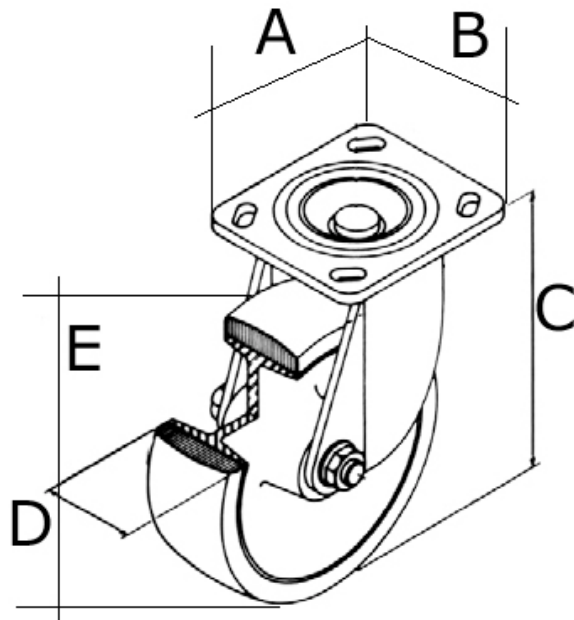
A = Length of caster plate

B = Width of caster plate

C = Overall height

D = Tread width of wheel

E = Height of wheel



Harvest Corporation

www.harvestcorporation.com