

Mini-Vert Air Bread Bagger

Key Features

- Three times faster than manual bagging
- Slices don't shift during loading
- Bag hard / soft crusted, sliced / unsliced breads
- Ideally suitable for pan loaf bread
- Next bag pops up/open automatically
- Mounts directly to your slicer or bench
- Up to 1,200 packages/hour



Load

Feed

Release

Twist

Closure

Five steps to bag sliced bread

Above specifications subject to change without notice.
The information contained herein is correct as of the date hereof.
Recommendations or suggestions are made without guarantee or representation as to results.



Mini-Vert Air Bread Bagger

Specifications

Motor / Electric

Standard:

90 cfm air blower 1.0 Amps 1 Ph / 115V / 60Hz

Product Capacity

5" Wide

Bag Specifications

Wicketed polyethylene/
polypropylene bakery bags

9" wide minimum

32" long (measured flat) maximum

Included

Adjustable Mounting Bracket

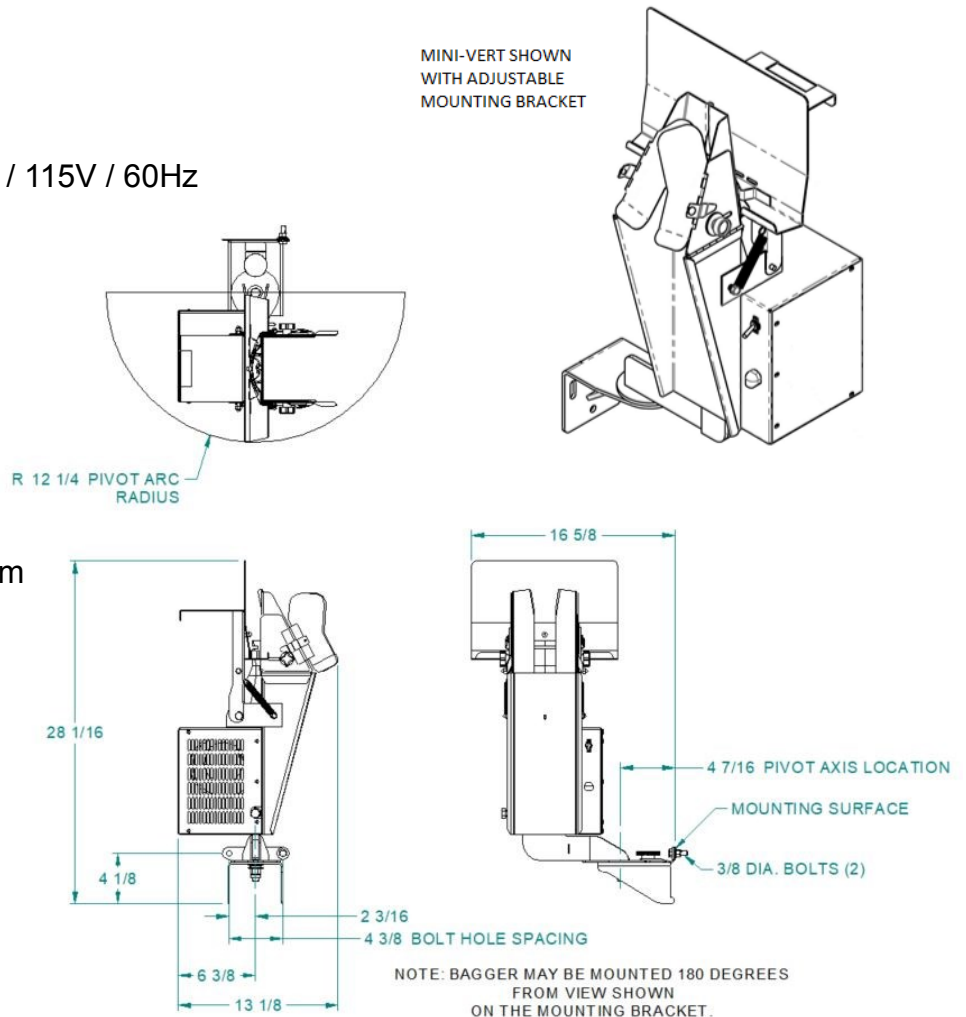
Shipping Weight

35 lbs. (16kg)

Height: 28.06"

Width: 16.62"

Depth: 13.12"



Above specifications subject to change without notice.
The information contained herein is correct as of the date hereof.
Recommendations or suggestions are made without guarantee or representation as to results.