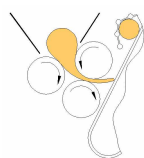


VERTICAL MOULDER **TREGOR**

FEATURES



Laminating system between 3 rollers.

A gradual laminating for a better shaping (a pre-laminating roller + 2 laminating rollers)



Stretching system between two moving belts (compact machine).

Good stretching, dough balls makes many turns in the machine and are well rolled up.

Easy dismantling of the 2 belts within 25 mn, 5 mn for the back belt :

- Easier maintenance.
- Lower intervention costs for the customer.
- Saving of time for the engineer.

Food aluminium sides (12 mm thick) assure the preservation of fundamental factory adjustments such as:

- The parallelism between rollers.
- The toe in angle and the angle between the 2belts

Hinged safety hopper, and easy removable scrapers:

- Easy access for the maintenance.
- Easy scrapers dismantling for the cleaning.
- Easier maintenance, higher roller longevity.



2 ponited selector for laminating and lengthening adjusting. It gives high accuracy to the adjustments

7 mm thick woven wool belt:

- Better shaping and better aspect of the shaped dough balls.
- Good support of the belts during the shaping and a higher equipment longevity.

USE

Machine to roll and to shape dough balls with weight from 50 grams (1.76 oz) to 1 450 grams (3.19 lb). The Production rate is up to 1 800 parts per hour depending on the dough ball weight.

OPTIONS

Pointop®: For automatic processing og baguettes and breads with sharp ends

Short loaves guides: For processing english breads loaves, sandwich loaves, loaves to be baked in tins.

Handle control on the left (to be mentioned at order).

Rolling stand : Made of stainless steel

Feed belt: Advised for feeding an intermediate proofer

PRESENTATION



- 1—Stretching adjustment.
- 2—Laminating adjustment.
- 3—Safety hopper.
- 4—Reception flap belt.
- 5—Shaping belt (light or heavy).
- 6—Switch 0—1—Start.

WEIGHT - PACKAGING

Net weight : 165 Kg (363 lb)

Packaging on slatted outer carton pallet two way : Gross weight : 180 Kg (396 lb)

Dimensions (Length X Width X Height) :
1,05m X 0,90m X 0,90m.

*Packaging on slatted wood box pallet two way :
Gross weight : 230 Kg (506 lb)*

Dimensions (Length X Width X Height) :
1,05m X 0,90m X 0,90m.

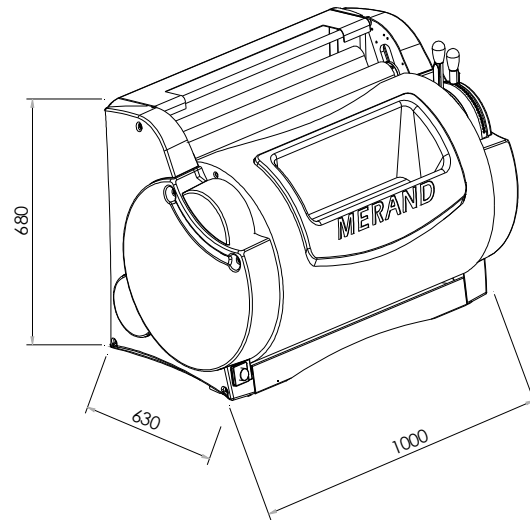
(* *Maritime full box, non-treated wood*)

HYGIENE — SECURITY

The Trégor moulder is in accordance :

- with the 89/392 EEC directive on hatches.
- with the labour regulations.

OVERALL DIMENSIONS



Discharge flap belt depth: 830 mm (2.1/2 f.)

Moulder's support fixation footings on rolling stand or discharge belt : 900 mm (2.7 f.)

ELECTRICAL DATA

- 380 Volts / 50 Hz / 0,55Kw / 1,75 A
- 380 Volts / 60 Hz / 0,55 Kw / 1,75 A
- 220 Volts / 50 Hz / 0,55 Kw / 2,90 A
- 220 Volts / 60 Hz / 0,55 Kw / 2,90 A

Power supply : cable of 4m with plug SORTING + T + N

Rotation engine speed :

- 880 revs/mn in 50 Hz
- 1080 revs/mn in 60 Hz

