



Bagel and Bun Slicer Series - Classic

Key Features:

- Ideal for on-premise slicing of bread products
- Cleanly slices bagels and buns with ease
- Compact, robust design for ease of operation
- Safe and efficient alternative to manual slicing
- Separate On/Off buttons for easy startup/shut down
- Re-designed ergonomic slice height feature allows for fluid adjustment
- Re-designed blade cover includes access point to clean underside of blade, eliminating need to remove blade
- Blade safety guard incorporates automatic power-down feature when removed
- Exclusive gentle-touch exit door slows sliced product delivery, preventing damage to softer product
- Optional return chute saves counter space and creates production system for larger orders



The information contained herein is correct to the best of our knowledge. The recommendations or suggestions are made without guarantee or representation as to results.

Above specifications subject to change without notice.



Manufactured in the U.S.A.



Bagel and Bun Slicer Series - Classic

SPECIFICATIONS:

Motor:

1/3 H.P., single phase, 60 Hz, 115 VAC, 6.8 AMPS.

Special electrics also available

Bun Height:

Up to 3" (76mm)

Bun Width:

For sliced through: Up to 4-3/8" (111mm)

For hinged: Up to 4-7/8" (124mm)

Cutting Height (bottom slice thickness):

5/8" (16mm) to 1-1/2" (38mm)

Hinge Thickness:

Up to 1/2" (13mm)

Finish:

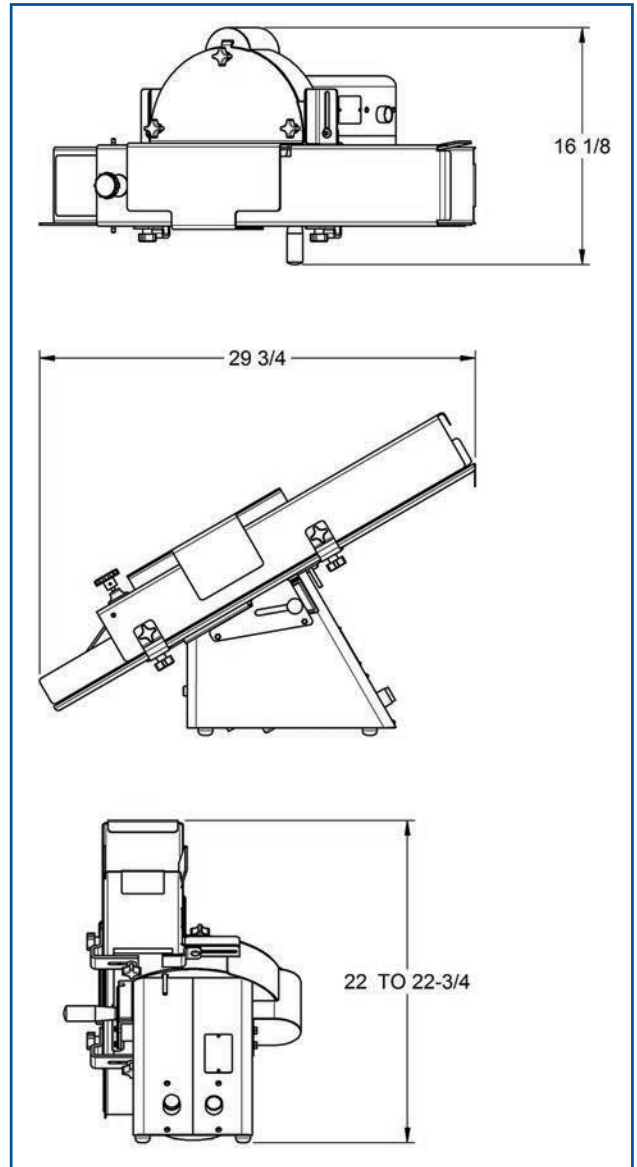
Durable bakery white powder coat finish, wear resistant and easy to clean. Chute, blade, and all other contact parts are stainless steel.

Dimensions: (see drawings at right):

Shipping weight: Approx. 120 lbs. (54.5kg)

Net weight:

105 lbs. (47.6kg)



The information contained herein is correct to the best of our knowledge. The recommendations or suggestions are made without guarantee or representation as to results.

Above specifications subject to change without notice.

Manufactured in the U.S.A.