

# BLOEMHOF

by  
**OLIVER**

Model 1170

## Mini-Vert Air Bread Bagger

### Key Features

- Three times faster than manual bagging
- Slices don't shift during loading
- Bag hard / soft crusted, sliced / unsliced breads
- Ideally suitable for pan loaf bread
- Next bag pops up/open automatically
- Mounts directly to your slicer or bench
- Up to 1,200 packages/hour



Load

Feed

Release

Twist

Closure

Five steps to bag sliced bread



Manufactured in the U.S.A.

## Mini-Vert Air Bread Bagger

### Specifications

#### Motor

Standard:

90 cfm air blower 1.0 Amps 1 Ph / 115V / 60Hz

#### Product Capacity

5" Wide

#### Bag Specifications

Wicketed polyethylene/polypropylene bakery bags

9" wide minimum

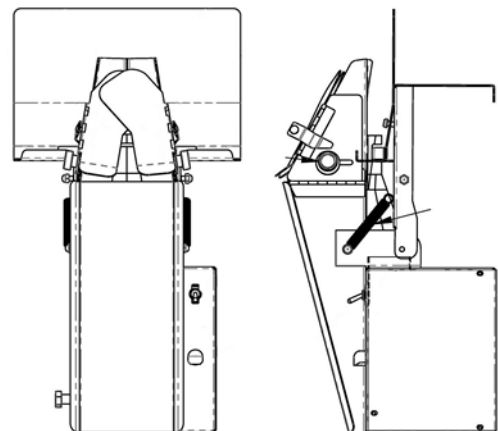
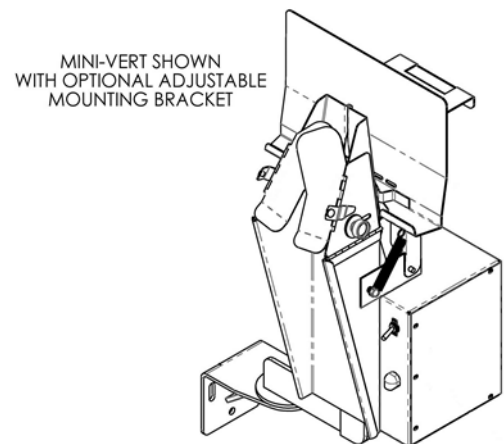
32" long (measured flat) maximum

#### Options

Non-adjustable bench/table mount

#### Shipping Weight:

35 lbs. (16kg)



The information contained herein is correct to the best of our knowledge. The recommendations or suggestions are made without guarantee or representation as to results.

Above specifications subject to change without notice.



**Manufactured in the U.S.A.**