



Front-Load Duo-Slicer

Key Features:

- Two slice thickness options in one machine
Choose from four options
- Provide customer options using 50% less energy
in 25% less space*
- Perfect for on-demand slicing of hard-crusted breads
and soft-textured sandwich loaves
- Large bread capacity - 13" loaves per slice thickness
- Easy-to-operate, with convenient, front-mounted
push button controls
- Front-mounted bagging scoop that adjusts for
smaller loaves makes for convenient bagging
- Blade advantages:
 - Uses the lowest cost replacement blades in the
industry, contributing to low cost of ownership
 - Easily replaceable, independently mounted,
rust-resistant blades
 - Blade replacement takes less than one hour of labor,
the lowest in the industry
- Smooth, quiet operation with minimal vibration



The information contained herein is correct to the best of our knowledge. The recommendations or suggestions are made without guarantee or representation as to results.

Above specifications subject to change without notice.

*based on two Model 732 slicers



Manufactured in the U.S.A.



Front-Load Duo-Slicer

SPECIFICATIONS:

Electric:

- 1 Phase/60 Hertz/ 115 Volts (7 Amps)
- 1 Phase/60 Hertz/ 230 Volts (3.5 Amps) (additional charge)

Maximum Product: (dimensions per side)
 13" (330 mm) long X 5.5" (140 mm) wide X
 5.5" (140 mm) high

Note: width and height dimensions are for a square loaf.
 Lower and wider product may be sliced by taking care in loading the product.

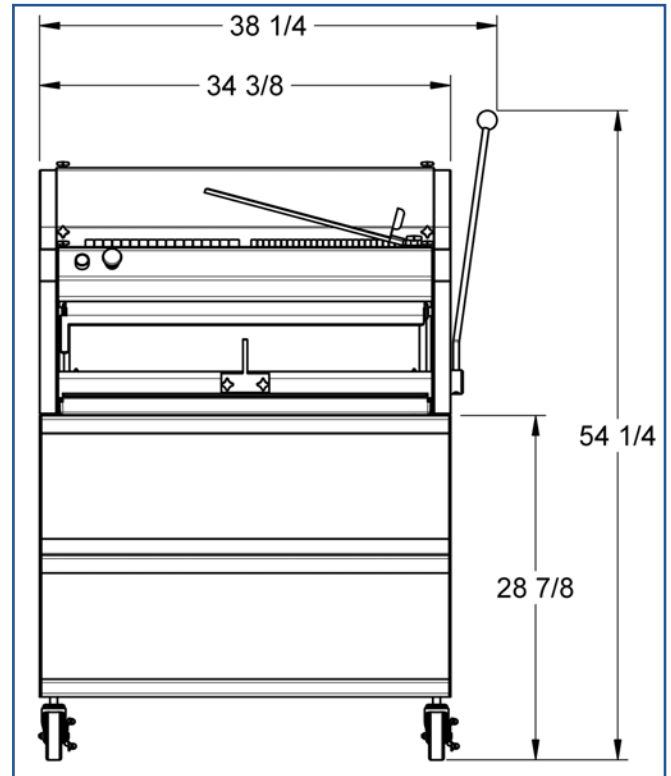
Finish:

Stainless steel contact components and food-safe materials throughout

Slice Spacing:

- Standard options: 3/8" (10 mm), 1/2" (13 mm), 5/8 (16 mm), 3/4 (19 mm)

Select two and determine position in slicer left to right



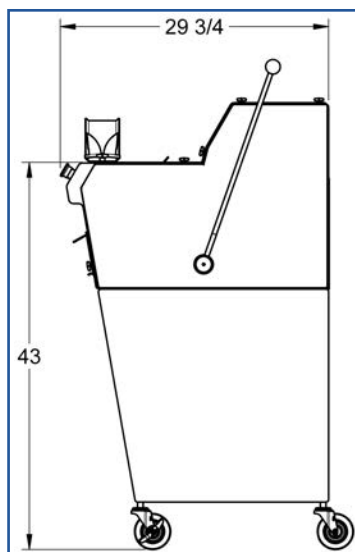
Dimensions: (see drawings at right):

Shipping weight:

500lbs. (227 kg) approximate

Net Weight:

450 lbs. (204 kg)



The information contained herein is correct to the best of our knowledge. The recommendations or suggestions are made without guarantee or representation as to results.

Above specifications subject to change without notice.

Manufactured in the U.S.A.