

Bun Divider

Key Features:

- Constructed of cast iron and cast aluminum
- Sanitary stainless steel pan included
- Divides dough into 36 pieces
 - 2.25 lbs = 1oz. (28g) finished pieces up to 9 lbs = 4oz. (113g) finished pieces*

**divided product final size dependent on starting dough weight / number of divisions*

- Optional stand available



Shown on optional stand

Specifications:

Shipping Weight:

150 lbs (68 kg)

Net Weight:

135 lbs. (61 kg)

Height:

41" (1,041 mm)

Width:

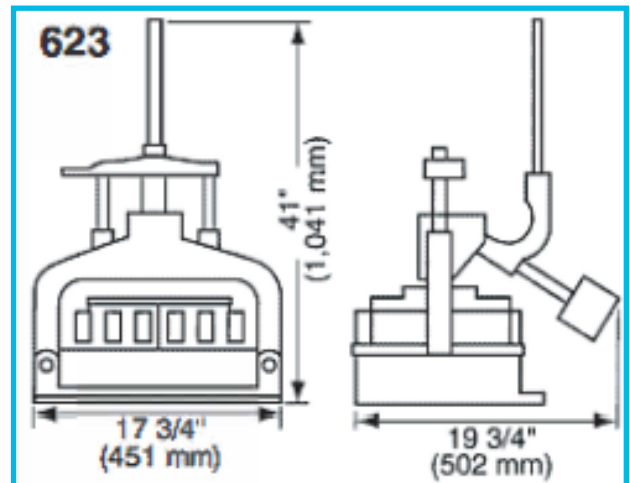
17 3/4 (451 mm)

Length:

19 3/4" (502 mm)

Optional:

floor stand with casters



Above specifications subject to change without notice.
The information contained herein is correct as of the date hereof.

Recommendations or suggestions are made without guarantee or representation as to results.

